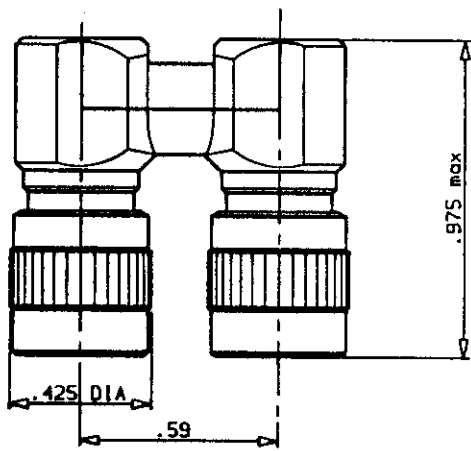


U LINK MALE TO MALE 15 MM



WEIGHT 0.612 oz ( 17.5 g)

CHARACTERISTICS

NOMINAL IMPEDANCE	75 $\Omega$
FREQUENCY RANGE	0 - 1 GHz
TEMPERATURE RATING	-40/+85 °C
VSWR	1.22 Max
RF INSERTION LOSS	NA /F dB Maxi
VOLTAGE RATING	330 Vrms Maxi
DIELECTRIC WITHSTANDING VOLTAGE	1500 Vrms mini
INSULATION RESISTANCE	5000 Mo mini
HERMETIC SEAL	NA cc/s Atm.cm3/s
LEAKAGE (pressurized only)	NA psi MPa
-	-
-	-

STANDARDISATION

CABLE RETENTION

NA Lb mini  
N

CENTER CONTACT RETENTION

Axial force - mating end	9 Lb mini 40 N
Axial force - opposite end	NA Lb mini N
Torque (Min)	NA Inch.oz cm.N

RECOMMENDED TORQUES

Mating	NA Inch. Lb cm.N
Panel nut	NA Inch. Lb cm.N
Clamp nut	NA Inch. Lb cm.N

CONSTRUCTION

CONNECTOR PARTS	MATERIALS	FINISH
HALF-BODY	ZINC ALUMINIUM ALLOY	Nickel
HALF-BODY	Brass	Nickel
OUTER CONTACT	Brass	Gold
CENTER CONTACT	Brass	Gold
INSULATORS	PTFE + POLYPROPYLENE	-
-	-	-
-	-	-
-	-	-

ISSUE	REVISION No	DESCRIPTION	BY	DATE

Initiated on 07-FEB-90

Superseded on - - - - -

The information given here is subject to change without notice. Design changes may be in order to improve the product.

